



# PREMIER

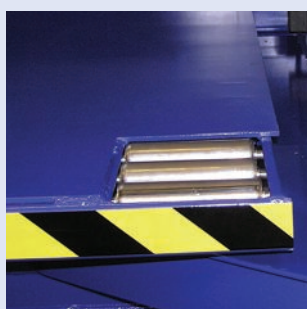
PALLET SYSTEMS LTD

## G95 INVERTER

The G95 is a simple floor-level loaded system of pallet exchange best suited to block stacked loads such as frozen food.

It works best with pallets up to 1200mm in either direction and with loads which are free of voids and stacked to the perimeter on at least one side.

Ideal for frozen meat, fish, vegetables or any boxed product which is reasonably stable when resting on its side.



### USES INCLUDE

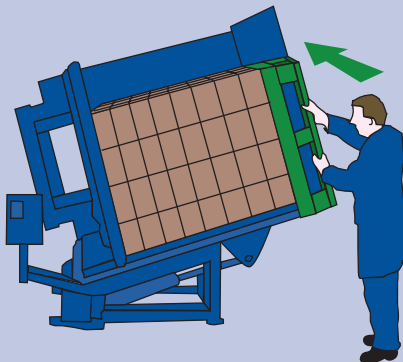
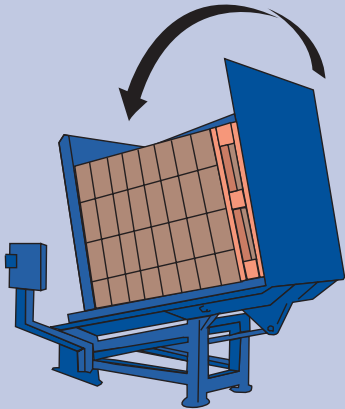
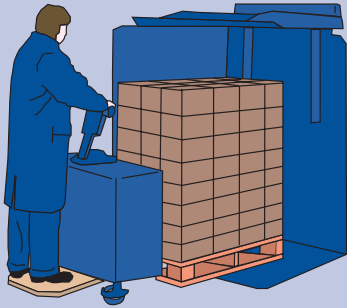
- Recovery of broken or non-standard pallets
- Removal of freezer separators from blast-frozen goods
- Transfer to and from in-house or rental pool pallets

### KEY FEATURES

- Single moving top clamp
- Jaw openings can be customized to suit your load heights
- 95° tipping angle and sliding skate to free the pallet for exchange
- 1500 kgs loading capacity
- Various guarding options
- Available with lever or individual push button controls
- Flush-to-floor loading by pallet truck with no ramp
- Floor fixture essential

# G95 INVERTER

## Specifications



	G95/1950	G95/2250
Usable Jaw Opening	Max 1.95 Min 1.11m	Max 2.25m Min 1.26m
Standard Load Tables	Width 1.23m Depth 1.23m	Width 1.23m Depth 1.23m
Loading Capacity	1500 kgs	1500 kgs
Power Supply	3ph / 400V / 15A	3ph / 400V / 32A
Motor Size	2.2kW	4.0kW
Weight	1500 kgs	1600 kgs
Weight of Standard Guards	300 kgs	300 kgs

*Smaller or larger models can be custom built*

### Controls

*All models fitted with dual hydraulic lever controls as standard.  
Push button controls on a pendant or console available as an option.*

Operating Space (including guards)	A Width 3.84m B Depth 1.89m C Height 2.60m	A Width 4.20m B Depth 1.89m C Height 2.82m
Standard Shipping Dimensions (without guards)	Width 2.30m Depth 2.00m Height 2.07m	Width 2.60m Depth 2.00m Height 2.07m

### FRONT ELEVATION

